

# SOURCECAP™

BIOABSORBABLE CAPS

Optimizing prostate  
brachytherapy one  
seed at a time



## An advanced approach to performing seed implants

---

*The key to delivering quality prostate brachytherapy is placing the sources where you need them and keeping them there.*

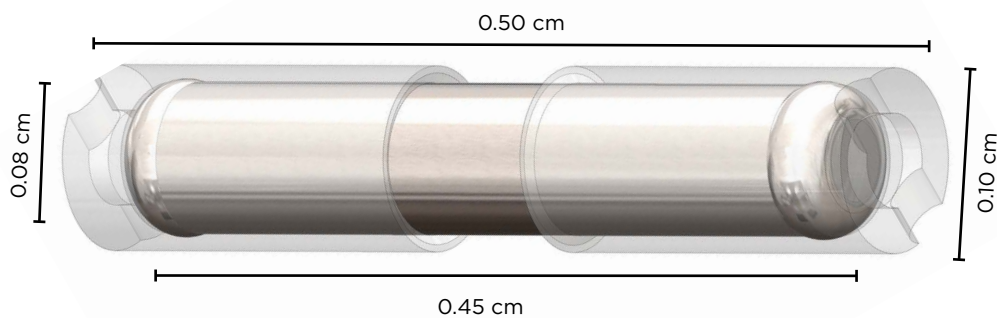
The SOURCECAP™ Bioabsorbable endcaps are designed to maximize resistance to movement while being compatible with your current delivery techniques. SOURCECAP™ endcaps can be utilized with either BRACHYSOURCE® Iodine or Theraseed® Palladium implants, and can be used with your existing applicators or be custom loaded in needles.



## SOURCECAPS™ Biosorbable endcaps

---

- Manufactured using bioabsorbable 70:30 poly (L-lactide-co-D, L-lactide) material (same as SOURCELINK® System). The SOURCECAP™ endcap material remains structurally intact for 170 days allowing most of the dose to be delivered to the gland with the sources still in place
- 0.5 cm overall length to allow 1.0 cm standard and 0.5 cm seed-seed spacing
- Increased overall diameter and surface area to better “grip” tissue within the needle track



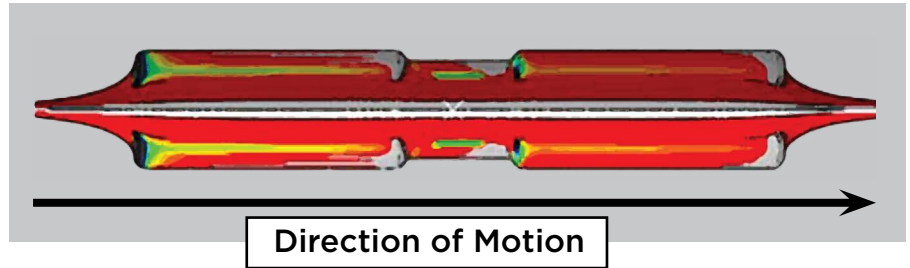
- Seeds with SOURCECAP™ endcaps can be delivered with existing applicator equipment or in preloaded needle configurations
- The SOURCECAP™ endcap material has no impact on the seed dosimetry

## SOURCECAP™ endcaps - implant fixity, by design

*A critical aspect of any brachytherapy procedure is having the source stay where it is positioned – or the implant “fixity”.*

We used finite element analysis to assess and create a design that increases resistance to motion. We found that distinct edges on the leading ends create more fixity with SOURCECAP™ endcaps.

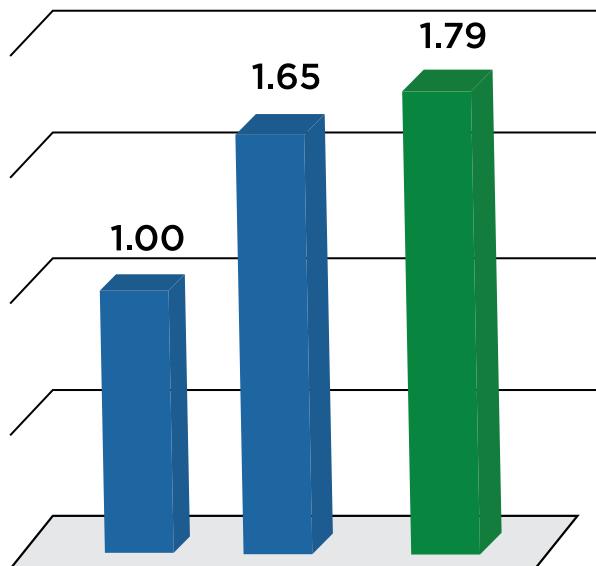
### Tangential Motion of Surfaces During Contact



*The different colors correspond to motion of tissue around the assembly. The gray color means that the tissue is not moving, i.e, the assembly “stays” at these points. The green and yellow colors are where the tissue releases.*

## Relative force for displacement

### Theoretical Relative Sliding Force\*



- The unique geometry of the SOURCECAP™ endcaps creates increased resistance to motion – resulting in increased fixity at and following placement
- Seeds with the SOURCECAP™ endcaps have a 22% larger diameter when compared to seeds alone
- Seeds with the SOURCECAP™ endcaps have 41% more surface area when compared with seeds alone

\*Bench data on file, may not correlate to clinical use. Data is based on the theoretical finite element analysis of the different source designs. Data was calculated in lbs. of force and normalized to the iodine seed value.

# BARD® BRACHYTHERAPY

YOUR TOTAL RESOURCE

## Control Position

The SOURCECAP™ Bioabsorbable endcaps are designed to maximize resistance to movement, while being compatible with your current delivery techniques. SOURCECAP™ endcaps can be utilized with either BRACHYSOURCE® Iodine or Theraseed® Palladium implants, and can be used with your existing applicators or custom loaded preloaded in needles.

## Bringing the confidence of seed fixity to the flexibility of individual seed placement

| Ordering Information: |  |
|-----------------------|--|
| Order Number          | Product Description  |
| 1251PAF               | BRACHYSOURCE® I-125 Seed with SOURCECAP™ Endcaps in Preloaded needles          |
| 1251CSF               | BRACHYSOURCE® I-125 Seed with SOURCECAP™ Endcaps in Mick® cartridges (sterile) |
| 200PAF                | TheraSeed® Pd-103 Seed with SOURCECAP™ Endcaps in Preloaded needles            |
| TS200CSF              | TheraSeed® Pd-103 Seed with SOURCECAP™ Endcaps in Mick® cartridges (sterile)   |

For additional information contact your local BARD representative or call 1-888-367-2273, or fax order to 1-888-383-3839.

### Indications

Brachytherapy Seed Implants are indicated for permanent interstitial treatment of selected localized tumors such as: head and neck, lung, pancreas, and early stage prostate. Implants may be used in superficial, intra-abdominal and intra-thoracic locations. Seed Implants are indicated to treat residual tumors following completion of a course of external radiation therapy and for recurrent tumors.

### Contraindications

Treatment of tumors in generally poor condition [e.g. ulcerated] is not recommended with Seed Implants with SOURCECAP™ Bioabsorbable Caps due to the potential of brachytherapy source migration. SOURCECAP™ Bioabsorbable Caps should not be used where permanent spacing is required.

### Cautions and adverse reactions

BRACHYSOURCE® Seed Implants with SOURCECAP™ Bioabsorbable Caps contain radioactive materials, and appropriate safety measures should be used to minimize exposure to clinical personnel. Brachytherapy Implants achieve their therapeutic effect through the delivery of radiation. Target tissues which may experience unintended radiation damage include bladder, rectum, seminal vesicles, vasculature, lymphatic and nervous system. Following prostate brachytherapy, impotence, urinary incontinence and urethral strictures have been reported, as well as proctitis, transient dysuria and increased urinary frequency. Potential side effects associated with the use of the SOURCECAP™ Bioabsorbable Caps can include: minimal acute inflammatory tissue reaction, transitory local irritation and calculus formation, in the event of prolonged contact with salt solutions such as urine and bile.

**BARD | MEDICAL**

C. R. Bard, Inc. Covington, GA 30014  
www.bardmedical.com

Please consult product inserts and labels for any indications, contraindications, hazards, warnings, cautions and instructions for use.

Bard, BrachySource, SourceLink and SourceCap are trademarks and/or registered trademarks of C. R. Bard, Inc. Theraseed is a registered trademark of Theragenics, Inc.

Copyright ©2014 C. R. Bard, Inc. All Rights Reserved.  
Printed in U.S.A. 1404-21 R06/14 THP P12/14 1M